



# ECDISPILOT Basic

## Ready for Compliance



The **ECDISPILOT Basic** is a new product especially designed for the retrofit market taking in account the new rules and regulations for ECDIS in the next couple of years. This compact

solution based on a panel PC is easy to install (even by ship's personal) and suitable for vessels of any size. It complies with all relevant performance and test standards.

### Features

- Compact 22" Panel PC with high resolution TFT display
- Easy to install interface module (5 pre-configured NMEA channels - extendable)
- Especially designed for the retrofit market
- Chart data bases: ENC S57/S63; Admiralty AVCS, ARCS, C-MAP CM93-3
- Advanced route and schedule planning
- Separate ECDIS layer for user objects (Mariners Notes)
- Overlay of ARPA and AIS targets



**SAM  
Electronics**

an  communications company

# ECDISPILOT Basic

## Technical Data

The **ECDISPILOT Basic** can be extended by certain options if requested by class or the customer.

- An optional printer for passage plan and PrintScreen can be used
- If required by class a UPS can be installed
- Extension to a double installation is possible (additional hardware required)

### IMO Carriage Requirements

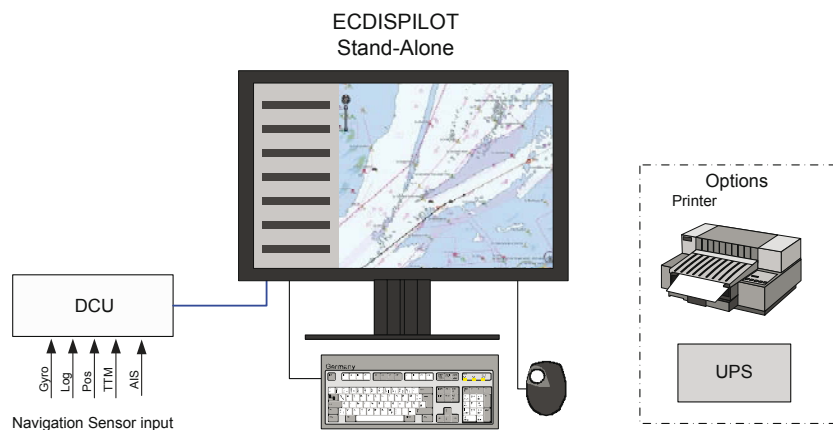
#### New Ships

- Passenger ships of 500 GT and above constructed on or after the 1st July 2012\*
- Tankers of 3000 GT and above constructed on or after the 1st July 2012\*
- Cargo ships (other than tankers) of 10000 GT and above constructed on or after the 1st July 2013\*
- Cargo ships (other than tankers) between 3000 GT and 10000 GT constructed on or after the 1st July 2014\*

\* relevant is the date of keel laying

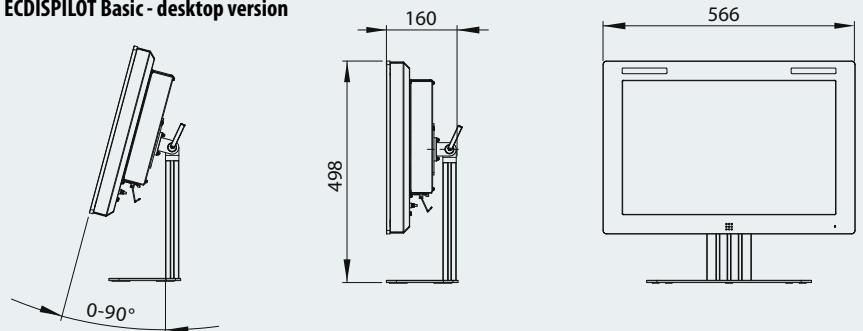
#### Existing Ships

- Passenger ships of 500 GT and above not later than the first survey on or after the 1st July 2014
- Tankers of 3000 GT and above not later than the first survey on or after the 1st July 2015
- Cargo ships (other than tankers) of 50000 GT and above not later than the first survey on or after the 1st July 2016
- Cargo ships (other than tankers) of 20000 GT and above not later than the first survey on or after the 1st July 2017
- Cargo ships (other than tankers) of 10000 GT and above not later than the first survey on or after the 1st July 2018

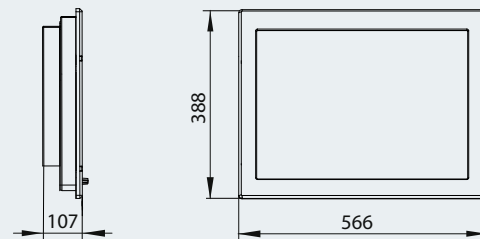


Overview ECDISPILOT Stand Alone

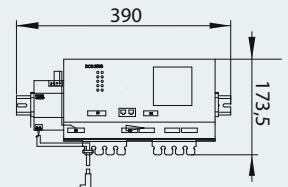
#### ECDISPILOT Basic - desktop version



#### ECDISPILOT Basic - console version



#### DCU - Navigation Data Interface



#### SAM Electronics GmbH

Products Automation, Navigation and Communication  
Behringstrasse 120  
22763 Hamburg · Germany

Phone: +49 (0)40 - 88 25 - 28 41

Fax +49 (0)40 - 88 25 - 41 16

ANC@sam-electronics.de

www.sam-electronics.de