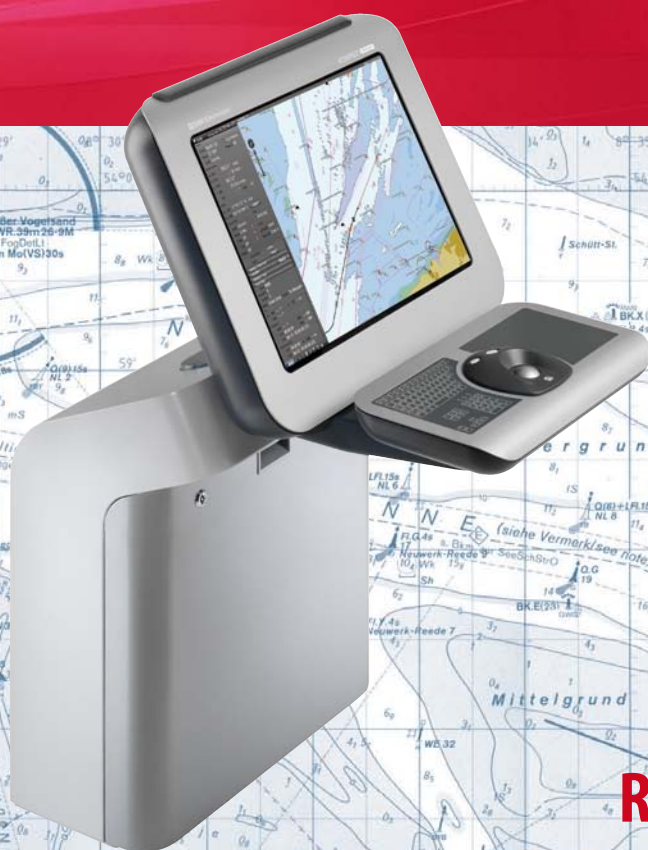




# ECDISPILOT platinum

## NACOS Platinum Series



**Ready for Compliance**



**SAM  
Electronics**

an  communications company

# ECDISPILOT platinum

## NACOS Platinum Series

### The Captain's First Choice

Whether in confined waters or open sea, modern navigation demands reliable and accurate data. The SAM Electronics **ECDISPILOT Platinum** exceeds these demands as the ultimate navigator's tool for route planning, monitoring and manoeuvring. A comprehensive variety of support functions is offered via intelligent information

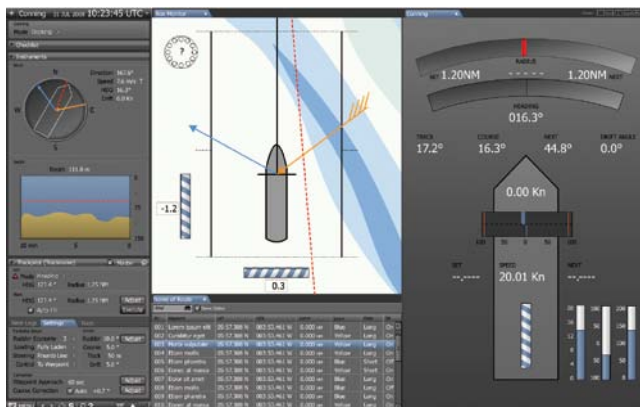
management and all in a user-friendly ergonomic design. Thus, operator's decision is made easier than before whilst minimising the risk of misinterpretation and incorrect system handling.

Usable as either a stand alone system or in combination with the RADARPILOT Platinum or even as part of a full Integrated Navigation System, the ECDISPILOT offers flexibility to meet your needs.

*ECDIS display*



*Conning display*



### Functional Package "ECDIS"

- High resolution widescreen displays
- Chart data bases: ENC S57/S63; Admiralty AVCS, ARCS; C-Map CM 93-3
- Chart maintenance based on real-time update
- Advanced route and schedule planning
- Type approved as MKD for AIS 3410
- Multiple view mode
- True scaled own ship outline
- Overlay ARPA & AIS targets
- Separate ECDIS layer for user (Mariners Notes)
- 5 different brightness settings for day and night
- Favourite user settings
- Man overboard button
- Online operators manual and user help function

### Functional Package "Advanced ECDIS"

Upgrade your ECDISPILOT with additional functionality via a simple software licence. A fast trouble-free procedure adapts your ECDIS to specific needs, including integrated conning page or output for conning display.

- All "ECDIS" features
- On-screen NAVTEX information
- Tides and current information
- Remote maintenance function
- Integrated conning page
- Output for conning display



## Functional Package "Automation"

Upgrade your ECDISPILOT on specific demands and benefit from a variety of functions never seen before such as ECDIS in combination with automation application.

- All "Advanced ECDIS" features
- Display and control of SAM Automation

## User Centred Design

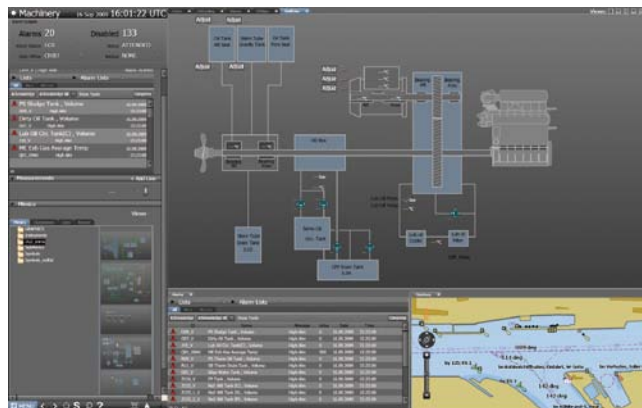
The Human Machine Interface (HMI) of the NACOS Platinum series is a story in itself. Understanding the need for easy and safe operation across systems and applications, SAM Electronics has pooled its 30 years of experience with that of leading international human factors expertise. Working together throughout an ambitious User Centred Design process, the result is an HMI that is intuitive, transparent and consistent. The HMI supports both novices and expert users, and is designed to match the user's information needs. By following operating principles similar to those of modern browsers and major software packages, the NACOS Platinum HMI will be immediately familiar to any computer user, and the easy overview and simplicity of operation directly allows the user to concentrate on the task of navigating the ship safely.

## Flexible System Architecture

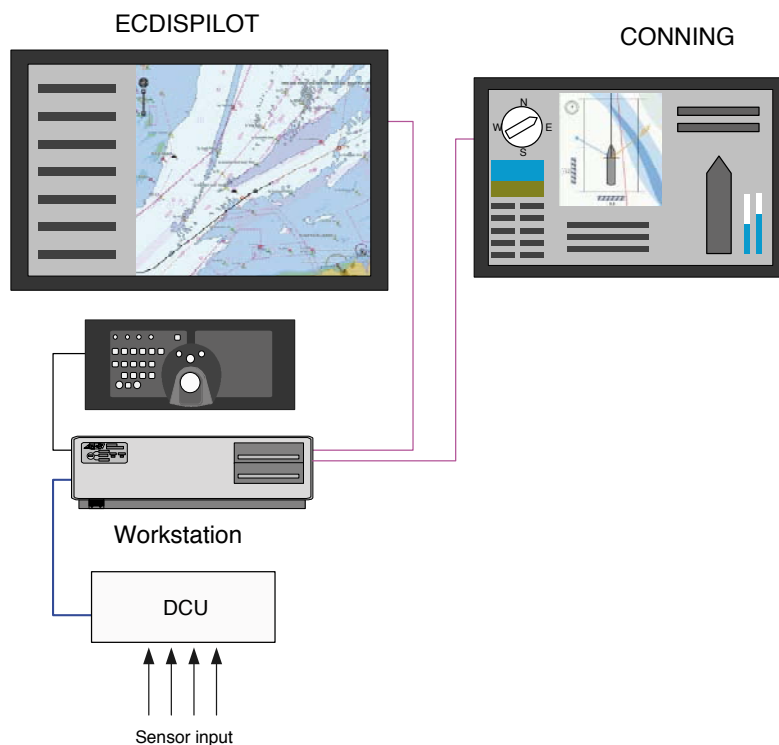
**ECDISPILOT Platinum** is completely LAN based to offer unsurpassed scalability and flexibility. Whether stand alone systems or full scale integrated navigation systems, the ECDISPILOT will fit perfectly onboard your vessel.

## Common Software Platform

The Platinum series offers options far beyond other systems. Its common software platform allows the installation of any application to any Platinum workstation regardless of location. Thus, ECDIS may even run on a compatible onboard automation workstation wherever the customer demands.



Automation display with ECDIS



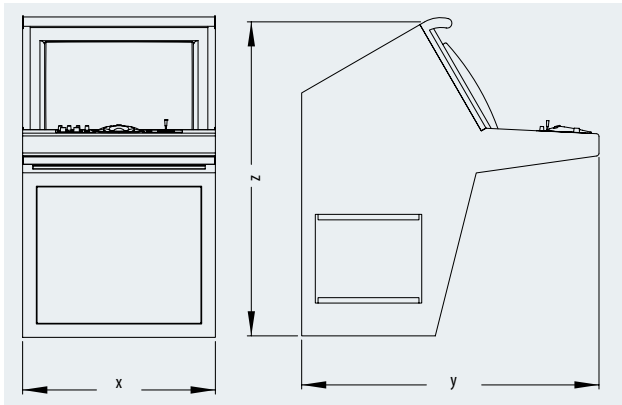
Installation ECDISPILOT with conning display

## Benefits of NACOS Platinum Series

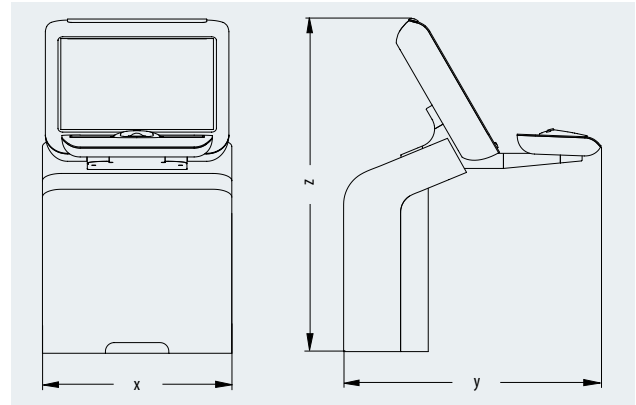
- Easy to install and to maintain
- Cost efficient solution focused on increasing user value
- Extremely user friendly = less training
- Common hardware platform = reduced spare parts

# ECDISPILOT platinum

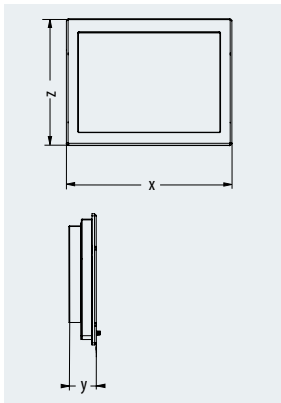
## Technical Data



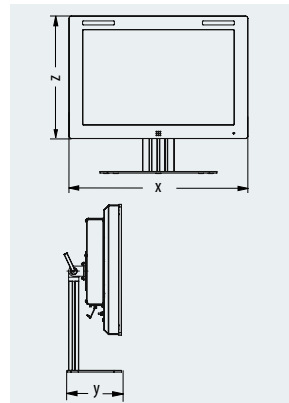
**C4 Console unit** with integrated control panel and display electronics



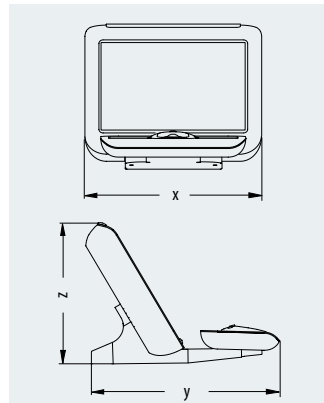
**C5 Console unit** with integrated control panel and display electronics



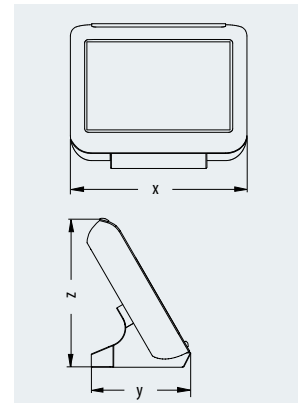
**C4 Console monitor** flush mounted



**C4 Desktop monitor**



**C5 Desktop unit** with integrated control panel

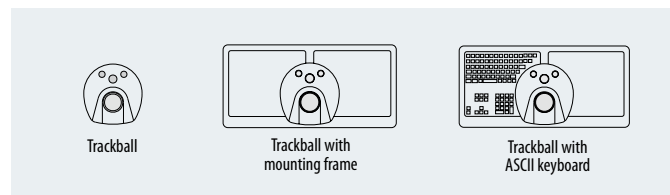
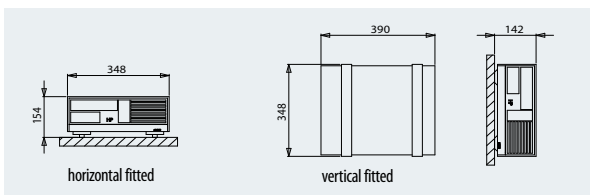


**C5 Desktop monitor** without control panel

### ECDISPILOT Platinum basic versions

Dimensions [mm]

Characteristics	C4 Console unit			C5 Console unit			C4 Console monitor			C4 Desktop monitor			C5 Desktop unit			C5 Desktop monitor			
	x	y	z	x	y	z	x	y	z	x	y	z	x	y	z	x	y	z	
Size																			
22" TFT	600	1090	1150	600	887	1168	566	107	388	566	160	388	600	727	517	600	380	517	
26" TFT	700	1090	1150	700	895	1168	642	133	436	642	160	436	690	727	517	690	380	517	



Alterations due to technical progress possible. Detailed technical information is available from:

**SAM Electronics GmbH**  
 Products Automation, Navigation and Communication  
 Behringstrasse 120  
 22763 Hamburg · Germany

Phone: +49 (0)40 - 88 25 - 28 41  
 Fax: +49 (0)40 - 88 25 - 41 16  
 ANC@sam-electronics.de  
 www.sam-electronics.de